

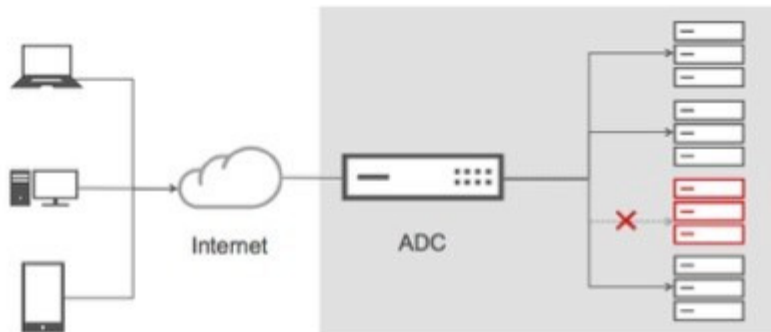


## Netscaler Health Check – Ensure Optimal Application Delivery

### Get the most out of your Citrix NetScaler

ADCs like Citrix Netscaler, which are widely deployed as a key fixture in the enterprise, help applications adapt to the networks and protocols that are in place today. They also ensure that applications perform optimally, are always available and don't present any security risks either to the user or business. Modern business applications need to work across all types of networks, and at locations beyond the confines of the physical workplace.

Spico Solutions, an accredited service provider for Citrix Netscaler devices, can help you gain a comprehensive perspective of your Netscaler environment as well as ensure delivery performance meets your business requirements. With our Application Delivery Health Check, we can evaluate, correct, and ensure applications are being delivered timely to your employees in as fast as one business day.



### Health Check Deliverables

- ❖ Environment Assessment
- ❖ Configuration review
- ❖ Best practices
- ❖ Architecture review
- ❖ Capacity and migration evaluation
- ❖ Evaluation of known ssl exploits
- ❖ Personalized Ops Training

### Pricing

\$2000 \*Plus Travel and Expenses if engineer is required on-site

For more information please email at [info@spicosolutions.com](mailto:info@spicosolutions.com) or call us at 760.510.6795

SPICO SOLUTIONS|SPICOSOLUTIONS.COM|2137 NEW CASTLE AVE, CARDIFF, CA 92007